

**SP30B Conductive Plastic
Precision Single Turn Potentiometer**

[HOME PAGE](#)

[Linear Motion Potentiometers](#)

[Single Turn Potentiometers](#)

[Multi-Turn Potentiometers](#)

[Industrial Joysticks](#)

[Foot Controllers](#)

[Valve Actuators](#)

[Turn Counting Dials](#)

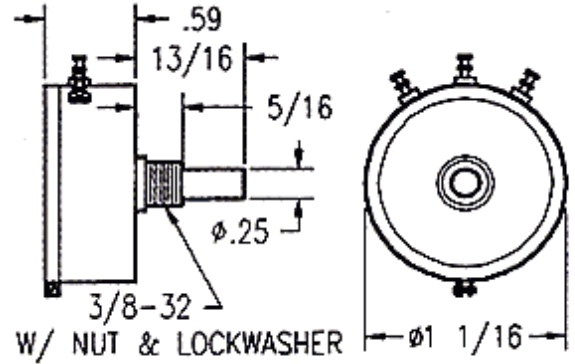
[Cross Reference](#)

[ETI Systems Sales Reps](#)

[ETI Systems Distributors](#)

RoHS/WEEE

Contact
ETI Systems at:
(760) 929-0749
eti@etisystems.com



SP30B Single Turn Potentiometer

- Conductive Plastic Element. Gold Plated Terminals.
- Anodized Aluminum Housing. Stainless Steel Shaft.
- Recommended for Robotics, Test and Lab Equipment.
- Life Expectancy: 20 million turns
- Resistance Tolerance: $\pm 10\%$ standard ($\pm 5\%$ available)
- Linearity Tolerance: $\pm 1.0\%$ standard ($\pm .2\%$ available)
- Electrical Angle: $320^\circ \pm 5^\circ$
- Mechanical Angle: $320^\circ \pm 5^\circ$
- Power Rating: 1.5 Watt
- Torque: Less than 2 mN•m
- Weight: 1 oz.

For Additional Product Information,
Refer to the [Single Turn Potentiometer Design Guide](#)

Request For Quotation (Requires User Registration)

Electrical Specifications:

Resistance Value (500 to 100K ohms standard)

Mechanical Options:

- **CT** Center Tap
- **SB** Sealed Body
- **NS** No Stops (Rotational angles become 340° electrical & 360° mechanical)
- **FL** Flatted Shaft (Indexed to CCW terminal)
- **SL** Side Load Treatment (to provide extended bushing life)
Servo mounting with ball bearings
- **S** (Rotational angles become 340° electrical & 360° mechanical and life expectancy become 50,000,000 turns)

Comments & Special Requirements:

Quantity Required

Date Required

Return to: [Single Turn Potentiometer Selection Guide](#)

Call ETI Systems at **(760)929-0749** to order by phone
or for assistance with your custom application